

JWL-70NT Series

LED WORK LIGHT (IP65)



Durable Life

High Efficiency

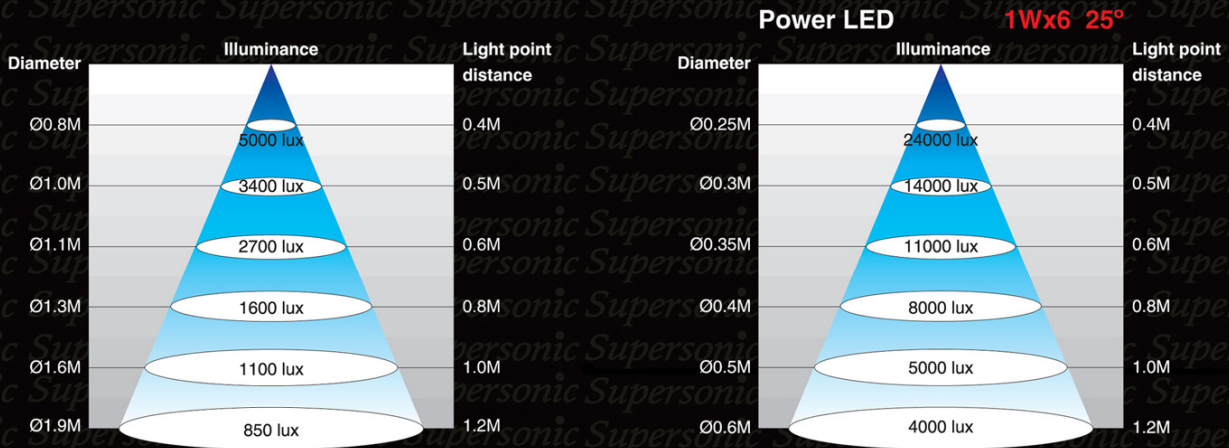
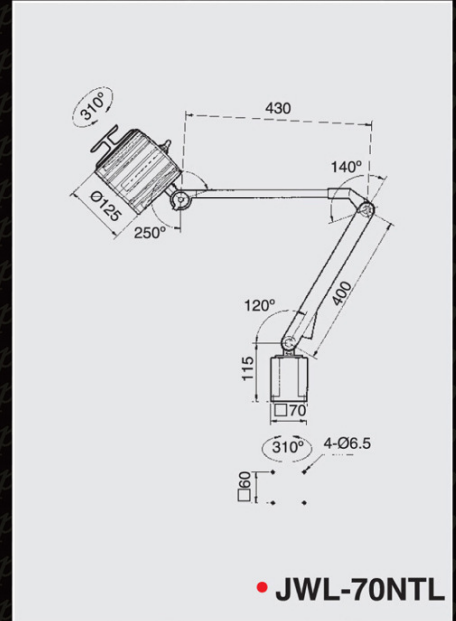
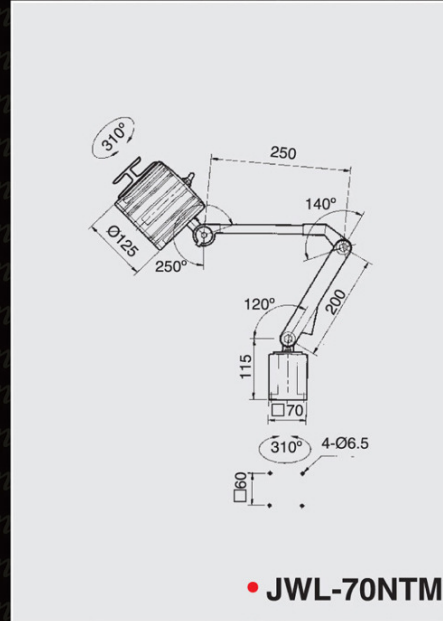
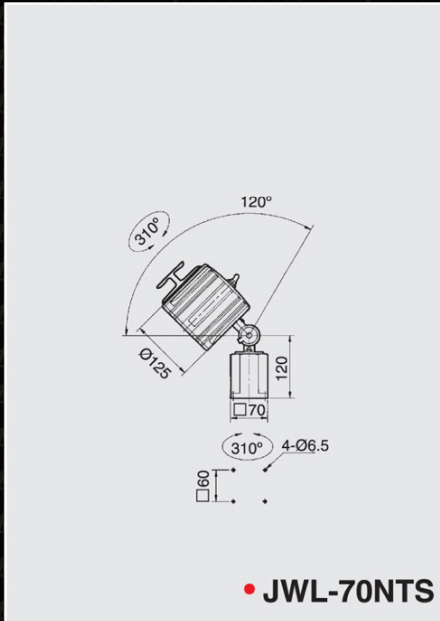


EC Declaration
of Conformity

Supersonic
www.supersonic.com.tw

JWL-70NT Series

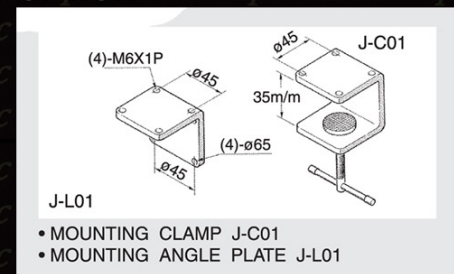
LED WORK LIGHT (IP65)



JWL-70NT Series

- * Round tube arm provides great lighting angles.
- * Consists of 6 LED bulbs (1W).
- * Coil transformer is built in base for directly connect to voltage of AC power (100V~277V).
- * Reinforced lense for high crack resistance.
- * Well prevention for explosion, dust, coolant and lubricants.
- * Furnished with 1.8meters cord without plug.

OPTION



LED WORK LIGHT

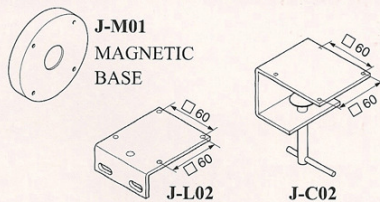
*Dramatically Reduce Power Consumption
And Improve Lighting Quality*

JHL-20FT / JHL-35FT

- Engineering plastic shade and base provides complete insulation for maximum operator safety.
- Power source available: 100V~277V.
- Transformer built in base.
- 1Wx3pcs.
- Furnished with 1.8 meter (70") cord.
- Available with magnetic base.
- Engineering mounting angle plate. (optional)
- Double shades designed permits fast heat dissipation.
- Length available: 500, 600, 700 and 900 m/m.
- Great light output, soft illuminating without irritating to the eyes.
- Low voltage 24 volt AC/DC operation without danger of electric shock.
- The gooseneck arm provides vibration resistance performance.
- Use top quality electric components.
- Economical model, yet quality constructed. Ideally suited to machine tools and machinery without big working area.

CUSTOM SIZES ARE AVAILABLE.

OPTION



- MOUNTING CLAMP J-C02
- MOUNTING ANGLE PLATE J-L02



- **Gooseneck arm**
- **30°, 45° or 60° lighting angle**
- **Built-in transformer**
- **Lighting reaches any direction**
- **Custom lighting angle is available**

JHL-20FT

JHL-35FT

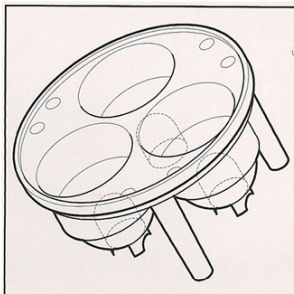
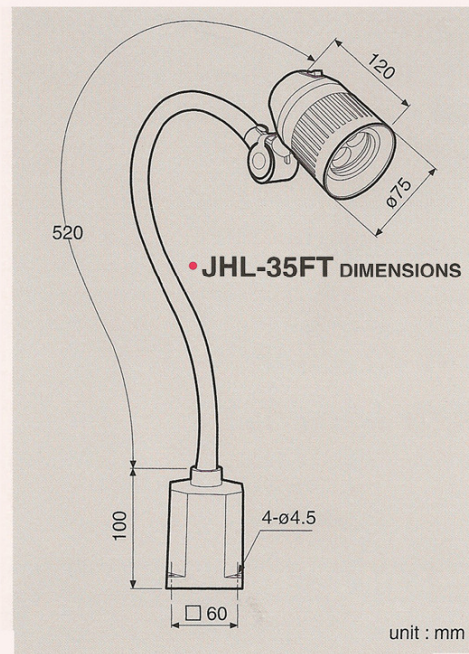
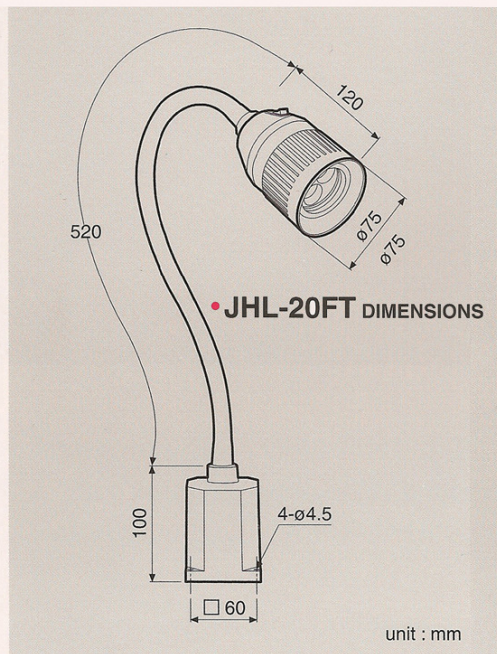
JHL-20FT and JHL-30FT LED light are designed to meet those who requires high efficiency and powerful lighting. The series of LED light has many outstanding features and is popular in many fields, such as machines, assembly station, precision working, office and inspection etc.

The LED light features low power consumption and extra long service life. The LED light can provide three lighting angles - 30°, 45°, and 60° simply by changing the lamp holder.

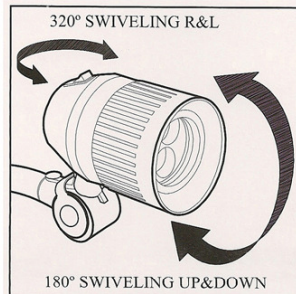
LED WORK LIGHT

*Dramatically Reduce Power Consumption
And Improve Lighting Quality*

呈興企業有限公司
Supersonic
www.supersonic.com.tw

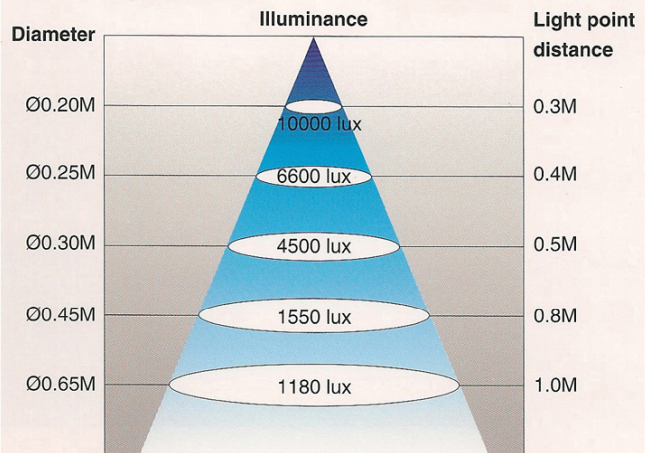


30°, 45° or 60° Lighting Angle
By simply changing the bulb holder,
you can get 30°, 45° or 60° lighting angle.

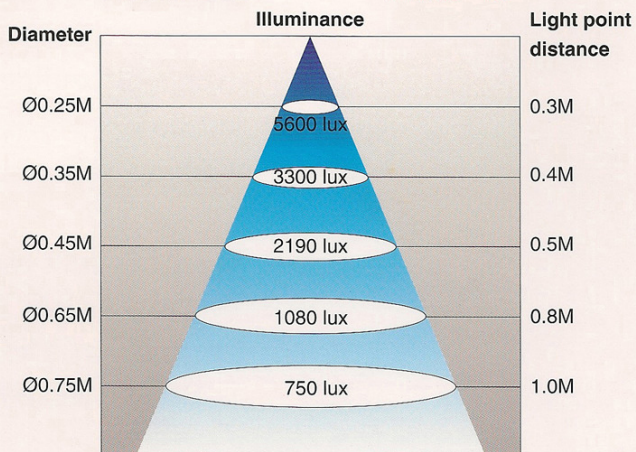


Convenient Head Swiveling (JHL-35FT)
Head permits swiveling to any direction or
fixed securely at a position.

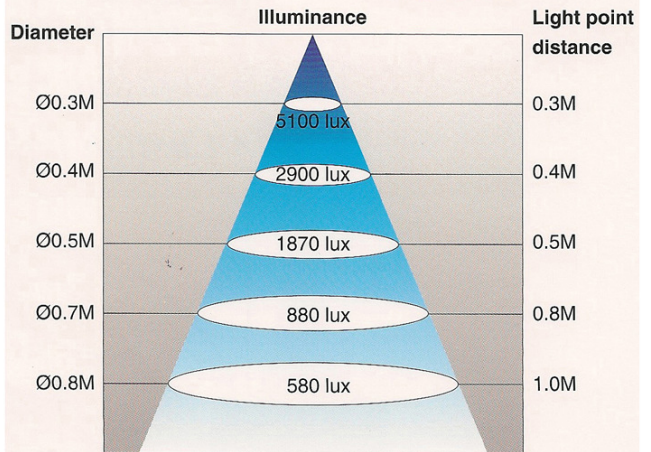
Power LED 1Wx3 30°



Power LED 1Wx3 45°



Power LED 1Wx3 60°



JWL-103FT series

JWL-103FT Series

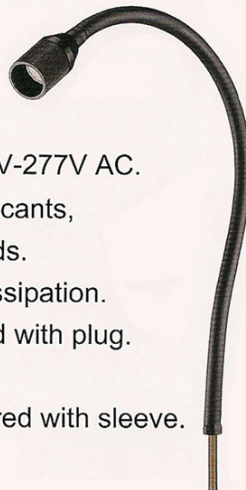
The JWL-103FT LED Work Light is a high efficiency lighting unit. It is well suited for today's lighting requirement.

The JWL-103FT provides exceptionally high lighting efficiency, high intensity and low energy consumption. Another benefit is it will increase your working spirit is extra long service life, while reducing your eye-strain to a minimum.



JWL-103FT

- Accommodates 24V AC/DC.
- Transformer is built in base.
- Suitable for power source 100V-277V AC.
- Well prevention for water, lubricants, coolants, dusts and other liquids.
- Special design for fast heat dissipation.
- Furnished with 1.8 meters cord with plug.
- Flexible goose neck arm covered with sleeve.
- Consists of 1 LED bulb x 3W.

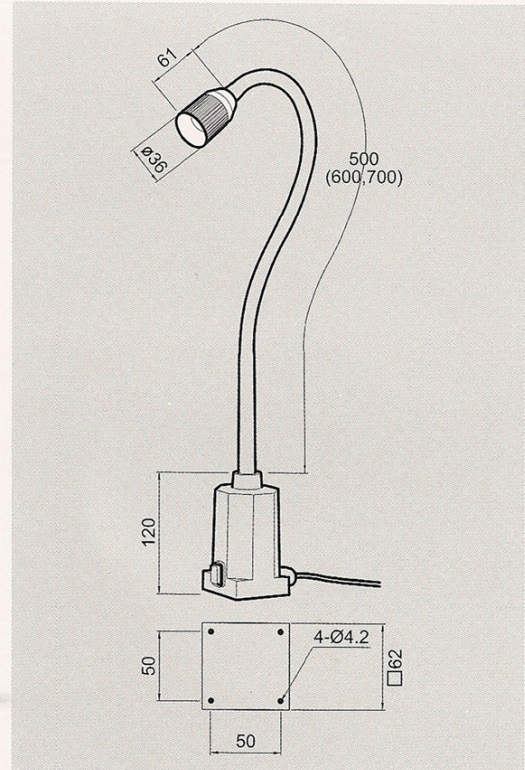


JWL-103F

(Require to equip with external transformer)

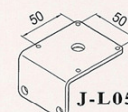
DIMENSIONS

unit:mm

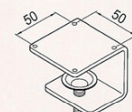


OPTION

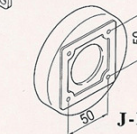
Mounting kits.



J-L05



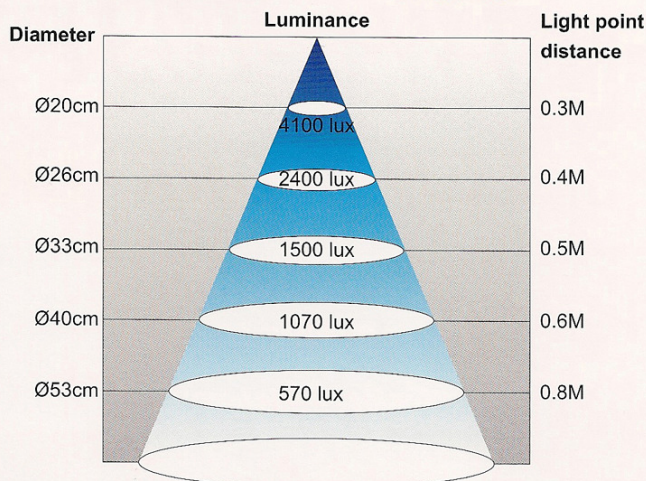
J-C03



J-M03 magnet

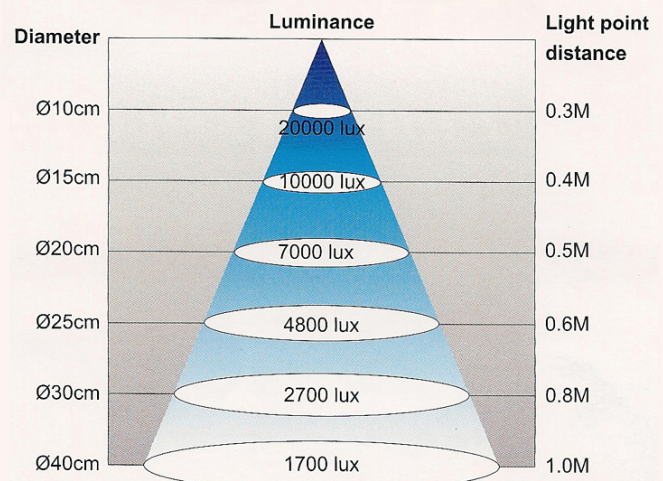
Power LED

3Wx1 40°

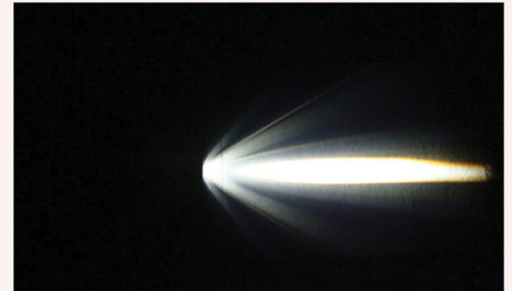


Power LED

3Wx1 15°



LED Flashlight [JS-5502 series]



Product Name: JS-5502	
Model No.	JS-5502
Working voltage	4.5V
Working current	350MA
Continuing lighting time	4 hours
Battery model	AAA alkaline battery x 3
LED lamp	1W
LED lamp life	40,000 hours
Luminance	CREE P4 Testing from the distance of lighting sources 800mm(focus) the early brightness more than 65000LX, after continuing 4 hours more than 150LX
Function	Zooming/Water-resistance/Aluminum IP64
Switch	Self-locking function
Water resistance	Can work in any terrible weathers
Appearance size	104.3L ϕ 34.6 mm
Weight	135g

LED Flashlight [JS-5502 series]

- 1) Counter-clockwise rotation to play the tail of the Torch, to spin and open the cover, put the cathode of the battery to the spring cathode connected of the fixed shelf, and to load the battery cover. Pay attention to spin in the end for waterproof.
- 2) The self-locking switch of the battery cover is light at the same one pressure and closes the torch do that again.
- 3) The head and tube of the torch is the moved and changed focus equipment, the focalized light when the torch is stretched for using in the distance; It is astigmatic when the torch is shorten for using in near place. In retractable state, when the torch is astigmatism light, push the tube and somewhat throw the head can make the torch focusing, luminescence and irradiate far.
- 4) Battery charging uses the desk stand to prevent rapid charging from affecting the life of the battery. Charging method: To put the battery into the right location(Note: the anode and cathode of the battery), to plug the power, to be charging when the red light is on and be full when the green light is on or glitter. It's better to continue to charge a few hours.
- 5) The cleaning device: When Lens need for cleaning, it's ok to use the alcohol of cotton to clear.

